

SITEX[®]

T-760

Series

Marine RADAR

New for 2014



- 7 inch color wide LCD display with TOUCH screen
- Hi-performance 4kW 1.5ft (24NM)/2ft (48NM) radome scanner
- Easy operation with TOUCH and rotary encoder dial
- 50 Target AIS Tracking - Standard
- 10 Target MARPA - Standard
- Multi-Speed Antenna Rotation
- Optional Color RGB video output

SITEX[®]

T-760/761 SERIES SPECIFICATIONS

MODEL	FREQ.	OUTPUT POWER	TYPE	SCANNER SIZE	ROTATION SPEED	BEAM WIDTH	POWER SUPPLY / COMSUMPTION
T-760	X-band (9410MHz)	4kW	radome	450mm (NKE-1066)	16-48rpm	H: 5.2° , V: 25°	DC12/24V -10/+30%* Approx 50W
T-761		4kW	radome	620mm (NKE-2044)	16-48rpm	H: 4.0° , V: 25°	DC12/24V -10/+30%* Approx 50W

*Cable length up to 30m

RADAR PERFORMANCE

Maximum detection range	24NM(JMA-1032), 48NM(JMA-1034)
Range scale	0.0625 - 24/48NM
Range resolution	less than 30m
Minimum detectable range	less than 40m
Bearing accuracy	less than 1degree
Pulse width	0.08µs/4000Hz, 0.08µs/2250Hz, 0.13µs/1700Hz, 0.25µs/1700Hz, 0.5µs/1200Hz, 0.8µs/750Hz
frequency	

PRESENTATION

Screen size and resolution	7-inch wide LCD, 800x480 pixels with touch screen
Radar diameter	90mm or more
Relative Motion, True Motion, North-UP, Head-UP, Course-UP,	
Anti SEA/RAIN clutters	Auto / Manual
Trail indication: OFF, 15s, 30s, 1min, 2min, 3min, 6min, 10min, 15min, 30min, Continuous	
Off centering	2/3 radius of PPI

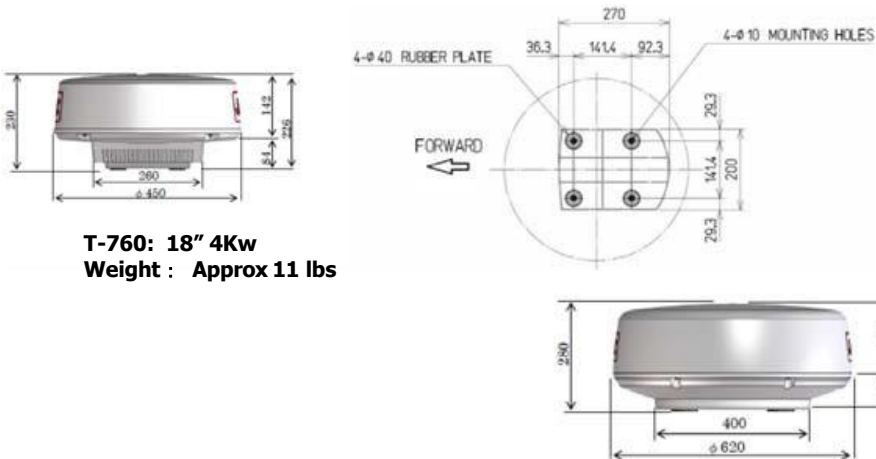
TARGET TRACKING and AIS FUNCTION

Acquisition mode	Auto/Manual (Auto: New Target)
ATA Tracking target capacity	10 targets
Acquisition and tracking range	20NM
Vector mode and length	True/Relative Vector, adjustable from 1 to 60min
Guard Zone	1 zone
Target Data	True Bearing, Range, True Course, True Speed, CPA, TCPA
Alarms	CPA/TCPA, New Target, Lost, System
AIS Target capacity	50 targets

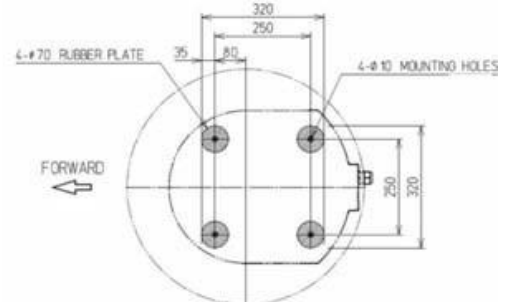


T-760/761 Display Weight Approx 2.2k g

OUTLINE DRAWING



T-760: 18" 4Kw
Weight : Approx 11 lbs



T-761: 24" 4Kw
Weight: Approx 22 lbs

SI-TEX
MARINE ELECTRONICS

25 Enterprise Zone Drive, Ste #2
Riverhead, NY 11901

www.si-tex.com

Tel: 631-996-2690 Fax: 631-996-2693

Email: customerservice@si-tex.com