

HD-70 Series

7 inch Wide Chartplotter/Fishfinder/Combo

MAX
C-MAP NT

- ▶ *Easy Operation Design*
- ▶ *Visually Stunning LED*
- ▶ *Outdoor use available*
- ▶ *Individual Gain Selection (Auto/Manual)*



<HD-70CF image>



High Speed CPU

High speed CPU(1GHz) is built-in. High speed zoom-in/out, high speed moving cursor, real time recording, various harbor information available.



High Accuracy(C-50)

Positioning the precise present position from accuracy GPS system.

- DGPS
- SBAS(WAAS, etc.)



SD support

SD card available to store user data(WPT/Mark, track, etc) or upgrade new S/W and chart.



Various AIS information

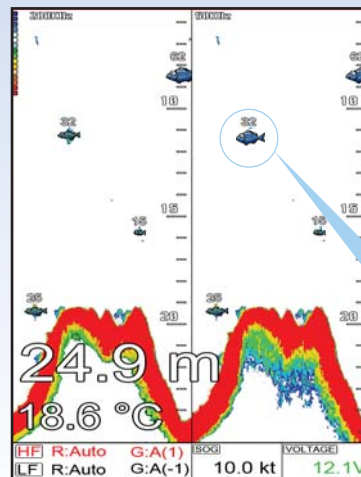
When connecting AIS, sorting MMSI, Ship's name, nationality, CPA, etc available. Additionally, easy measuring the distance of other ships available with AIS radius.



Smart Fishfinder(HD-70CF/70F)

Super high speed CPU processor's never missed targets under the water, even micro size objects.

Super anti-noise filtering, "Smart-WEB" digital technology provides you to the ultra clear FF image you've never seen in the world. Particularly, with the most advanced decoding activity, it's available to see the fish's size and kind in any where you're on the water.



	50 → 50 inch
	25 → 25 inch
	10 → 10 inch

Direct Show!



Recognizing the fish with the size and the kind is available directly on the screen.

(Full screen of fishfinder mode)



103-903 Bucheon Technopark 364 Samjeongdong Ojeonggu
Bucheon Gyeonggi, Korea
TEL : +82 32 327 4712 FAX : +82 32 327 4713
Web-site : <http://www.haiyang.co.kr>

HD-70 series

Chartplotter/Fishfinder/Combo

GENERAL SPECIFICATION

1. Display Screen
7 inch wide color LED Back-light
2. Power Supply
DC 12V~36V(±10%)
6W(without FF)/12W(with FF)
3. Resolution
VGA(480X800pixels)
4. Operating Temperature
Display Unit -15°C ~ 50°C
Antenna Unit -25°C ~ 70°C
5. Waterproof
IPX 6
6. Performance Standard
IMO Resolution MSC.112(73)
7. Back-up
SD Card (Optional)

CHARTPLOTTER SPECIFICATION(HD-70CF/70F)

1. Display Method Mercado Projection
2. Display Mode
True motion / North up / Course up / Head up
3. Latitude Limits Between 85 N to 85 S
4. Map Datum WGS-84(Standard), 270 different Datums
5. WPT/Mark 20,000 points
*Total of 16 colors and 16 icons are selectable each point with name tag
6. Track Point 50,000 points
7. Route Max capacity 100 Routes
*20 WPTs per each Route. Each with name tags (8 alphanumeric characters)
8. Chart Data C-MAP NT+/MAX
9. Output Data NMEA-0183
10. Input Data NMEA-0183
11. Alarm Arrival, Anchor, Off course, Interval timer
AIS(CPA, TCPA)

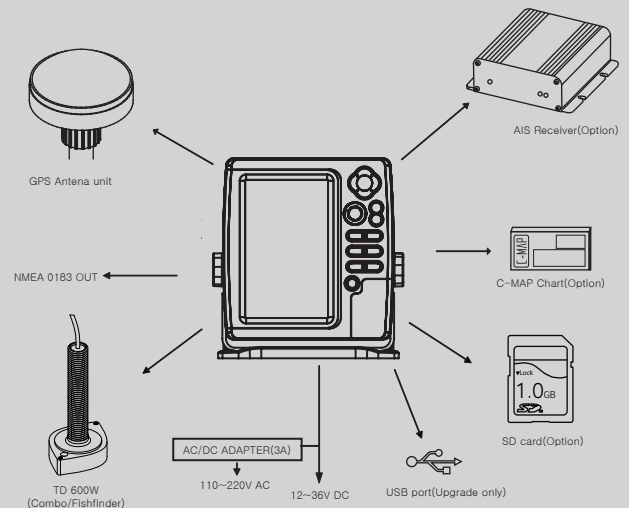
GPS RECEIVER SPECIFICATION(HD-70CF/70F)

1. Receive Type
L1 frequency(1575.42MHz), C/A code
2. Number of Channel
Over 50 channels
3. Accuracy
Position 2.5m CEP
DGPS/SBAS 2.0m CEP
4. Sensitivity
Acquisition -140 dBm
Tracking -149 dBm
5. Data Update Rate
1 Second
6. Datum
WGS-84(Standard), 270 different Datums
7. Support
DGPS, SBAS (WAAS, ets)

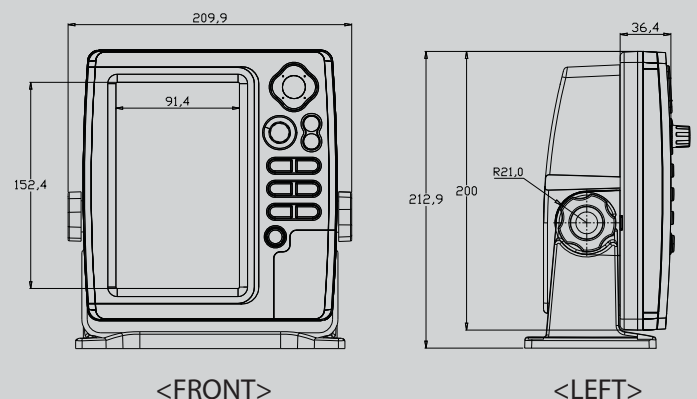
FISH-FINDER SPECIFICATION(HD-70CF/70F)

1. Display Mode : Bottom-lock, Bottom-zoom, A-scope
2. Frequency : 50 and 200 KHz(single or dual)
3. Output : 600W
4. Depth Range : 2.5m ~ 600m
5. Image speed : Fixed 8 speeds and stop
6. Interference rejection : 3 levels
7. Noise rejection : 4 levels
8. Function : Gain(auto/manual), range(auto/manual), depth with shift(auto/manual), STC(auto/manual)
9. Alarm : Depth, Fish-school, Water TEMP.

Interconnection



Dimension



Certified to ISO 9001/2000

Haiyang OLIX CO., LTD.
103-903 Bucheon Technopark 364 Samjeongdong Ojeonggu
Bucheon Gyeonggi, Korea
Tel : +82 2 3274712 Fax: +82 32 3274713
Web-site: <http://www.haiyang.co.kr>
E-mail: sales@haiyang.co.kr